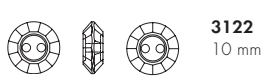
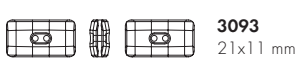
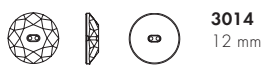
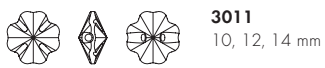
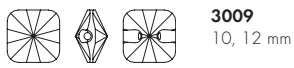
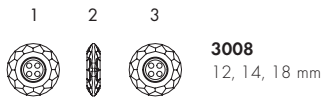




CRYSTAL BUTTONS

Crystal Buttons can be used in exactly the same way as standard buttons. The areas of use range from shirts, blouses, jackets, and coats, through to denim and accessories. They are suitable for hand and mechanical application.

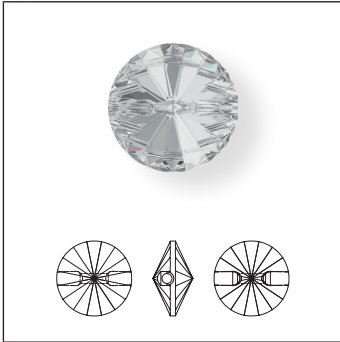
SUMMARY



SUMMARY & ARTICLE EXPLANATION

ARTICLE EXPLANATION

3015



Size	10 mm	12 mm	14 mm	16 mm	18 mm	23 mm	27 mm
------	-------	-------	-------	-------	-------	-------	-------

Crystal

Crystal F (001)

Colors

Plain Colors

Black Diamond F (215)

Jet (280)

Light Colorado Topaz F (246)

Crystal Effects

Transparent Effects

Crystal AB F (001 AB)

Crystal Golden Shadow F (001 GSHA)

Crystal Satin F (001 SAT)

Color Effects

Metallic Effects

Jet Hematite (280 HEM)

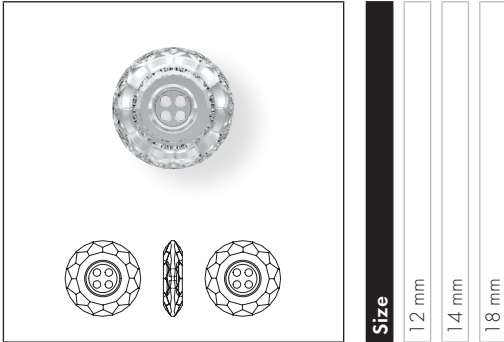
Crystal F (001)	■	■	■	■	■	■	■
Black Diamond F (215)	■	■					
Jet (280)	■	■	■	■	■	■	
Light Colorado Topaz F (246)	■	■					
Crystal AB F (001 AB)	■						
Crystal Golden Shadow F (001 GSHA)	■	■					
Crystal Satin F (001 SAT)	■	■	■				
Jet Hematite (280 HEM)	■	■					

3015	Size	Color
Article number	Diameter or height of Buttons in mm	Color assortment

ORDERING EXAMPLE & PRODUCT VARIETY EXPLANATION

3015	10	001 AB
Article number	2-digit code for size	Color of crystal and foiling
	Please see the respective product matrix for all available size references.	Please see the respective product matrix for all available reference codes. M-Foiling available where indicated.

3008 Classic Crystal Button (4 holes)



Size

12 mm

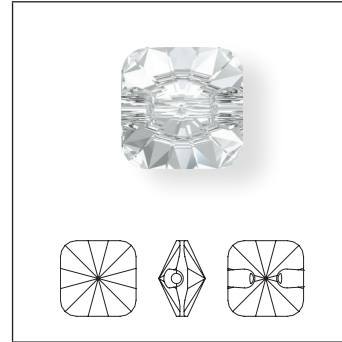
14 mm

18 mm

Crystal

Crystal F (001)

3009 Rivoli Square Crystal Button



Size

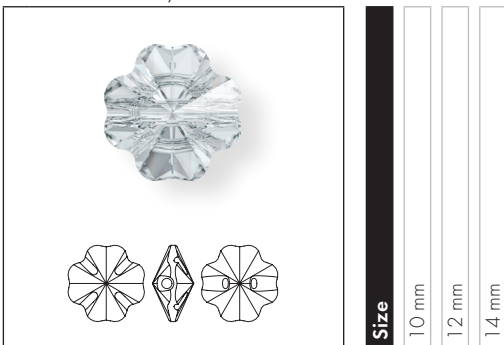
10 mm

12 mm

Crystal

Crystal F (001)

3011 Clover Crystal Button



Size

10 mm

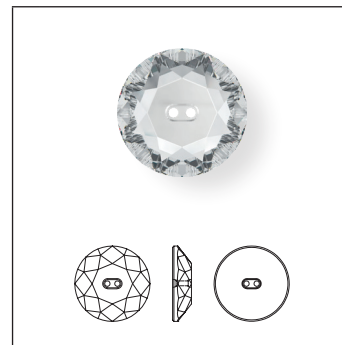
12 mm

14 mm

Crystal

Crystal F (001)

3014



Size

12 mm

Crystal

Crystal F (001)

Colors

Plain Colors

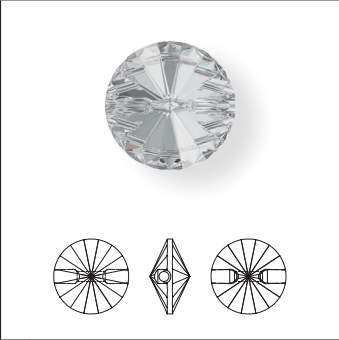
● Jet (280)

Color Effects

Metallic Effects

● Jet Hematite (280 HEM)

3015



Size	10 mm	12 mm	14 mm	16 mm	18 mm	23 mm	27 mm
------	-------	-------	-------	-------	-------	-------	-------

Crystal

Crystal F (001)	■	■	■	■	■	■	■
-----------------	---	---	---	---	---	---	---

Colors

Plain Colors

Black Diamond F (215)	■	■					
Jet (280)	■	■	■	■	■	■	
Light Colorado Topaz F (246)	■	■					

Crystal Effects

Transparent Effects

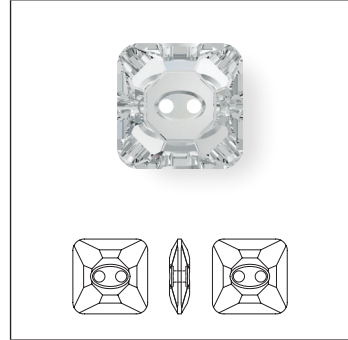
Crystal AB F (001 AB)	■						
Crystal Golden Shadow F (001 GSHA)	■	■					
Crystal Satin F (001 SAT)	■	■	■				

Color Effects

Metallic Effects

Jet Hematite (280 HEM)	■	■					
------------------------	---	---	--	--	--	--	--

3017

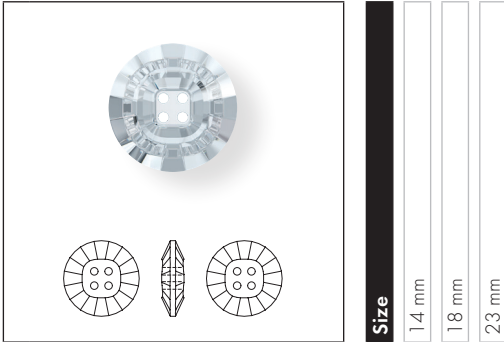


Size	10 mm	12 mm
------	-------	-------

Crystal

Crystal F (001)	■	■
-----------------	---	---

3018 Rivoli Crystal Button (4 holes)



Size
14 mm
18 mm
23 mm

Crystal

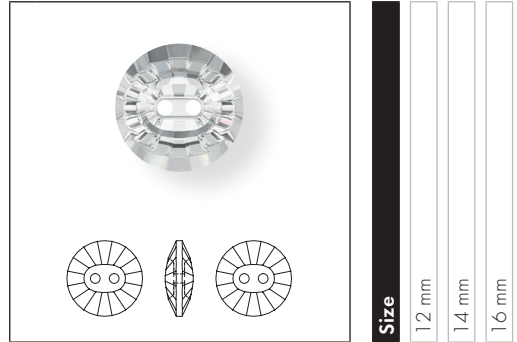
Crystal F (001)

Colors

Plain Colors

Jet (280)

3019 Rivoli Crystal Button (2 holes)



Size
12 mm
14 mm
16 mm

Crystal

Crystal F (001)

Colors

Plain Colors

Jet (280)

Crystal Effects

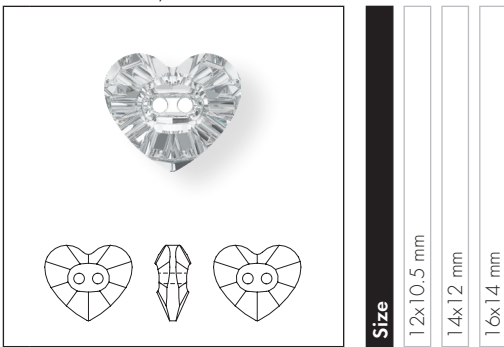
Transparent Effects

Crystal AB (001 AB)

Crystal Golden Shadow (001 GSHA)

Crystal Silver Night (001 SINI)

3023 Heart Crystal Button

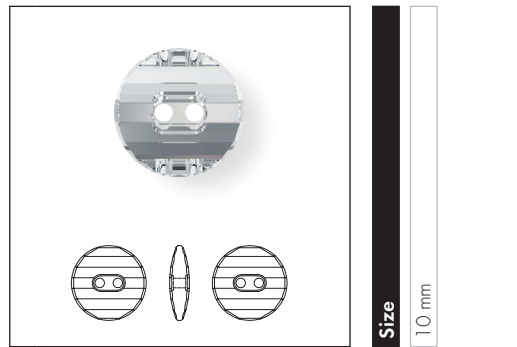


Size
12x10.5 mm
14x12 mm
16x14 mm

Crystal

Crystal F (001)

3035



Size
10 mm

Crystal

Crystal F (001)

Colors

Plain Colors

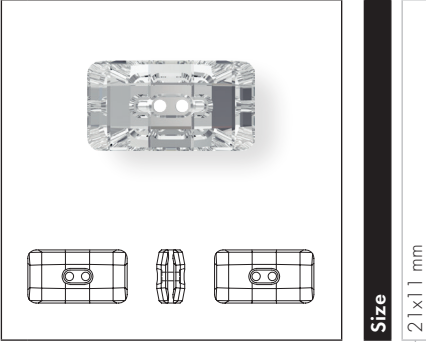
Jet (280)

Crystal Effects

Transparent Effects

Crystal Satin F (001 SAT)

3093 Chessboard Crystal Button



Size

21 x 11 mm

Crystal

Crystal F (001)

Colors

Plain Colors

Jet (280)

Light Colorado Topaz F (246)

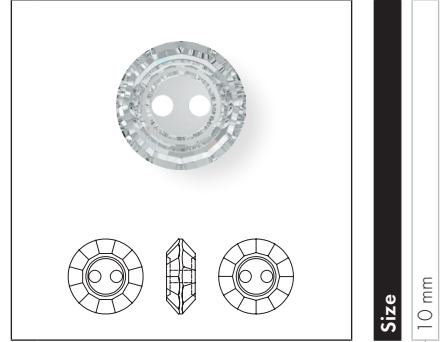
Crystal Effects

Transparent Effects

Crystal Red Magma F (001 REDM)

Crystal Volcano F (001 VOL)

3122



Size

10 mm

Crystal

Crystal F (001)

Crystal Effects

Transparent Effects

Crystal AB (001 AB)

PRODUCT DETAILS

Article Size	Packing Unit = Minimum Order Quantity in Pieces	Average Net Weight in Gram per Packing Unit Crystal (001)	Average Gross Weight in Gram per Packing Unit Crystal (001)
3008			
12 mm	48	29.9	50.8
14 mm	36	32.0	50.5
18 mm	24	52.3	72.0
3009			
10 mm	144	85.9	112.5
12 mm	144	137.3	169.0
3011			
10 mm	144	65.9	85.5
12 mm	144	96.77	119.1
14 mm	72	70.76	91.7
3014			
12 mm	48	28.8	47.3
3015			
10 mm	72	35.4	54.0
12 mm	48	41.4	59.9
14 mm	36	42.5	59.8
16 mm	24	47.6	64.9
18 mm	24	62.1	79.1
23 mm	8	42.9	64.9
27 mm	8	67.6	89.6
3017			
10 mm	72	39.8	58.4
12 mm	48	39.0	57.6
3018			
14 mm	48	36.3	57.2
18 mm	24	38.3	71.4
23 mm	16	53.8	86.3
3019			
12 mm	48	31.2	51.3
14 mm	36	41.4	59.3
16 mm	24	39.8	62.5
3023			
12x10.5 mm	144	81.0	110.2
14x12 mm	144	131.8	158.3
16x14 mm	72	90.1	98.5
3035			
10 mm	72	26.7	45.3
3093			
21x11 mm	36	81.4	112.2
3122			
10 mm	72	33.7	52.3

